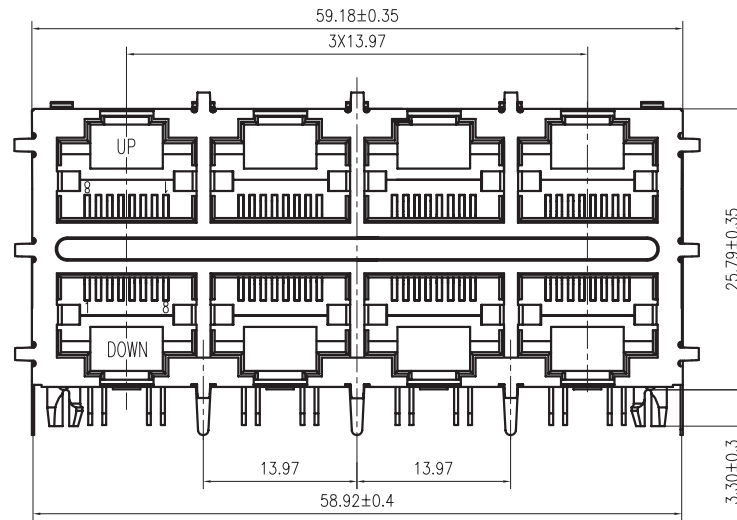
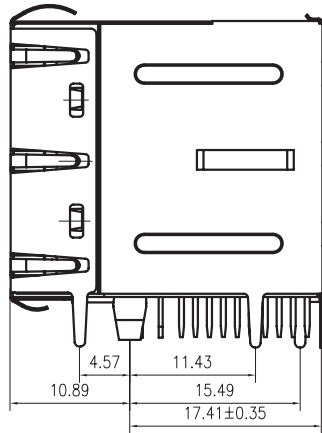
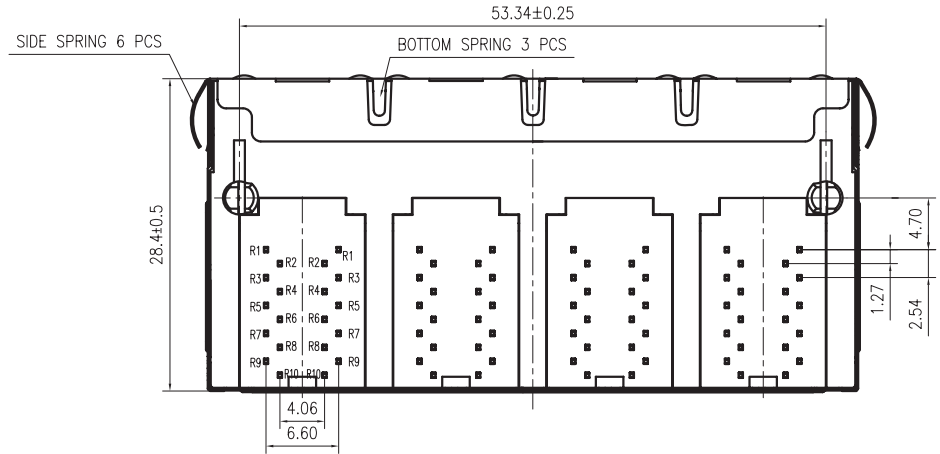
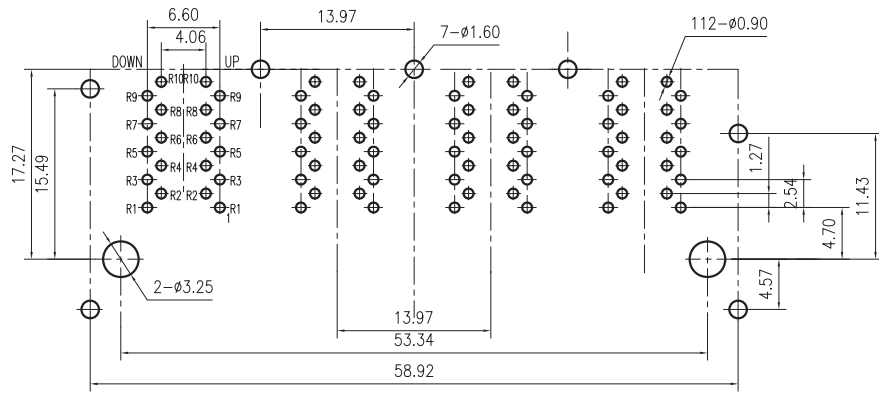


1

2



XYFW(www.cnxyfw.com)

Designed

MATERIAL

DESCRIPTION

2X4 EMI 1000BASE

FIRST ANGLE PROJECTION



TEL:
FAX:
Website:

Checked

Approved

SCALE

1.5:1

UNIT

mm

MODEL NO.

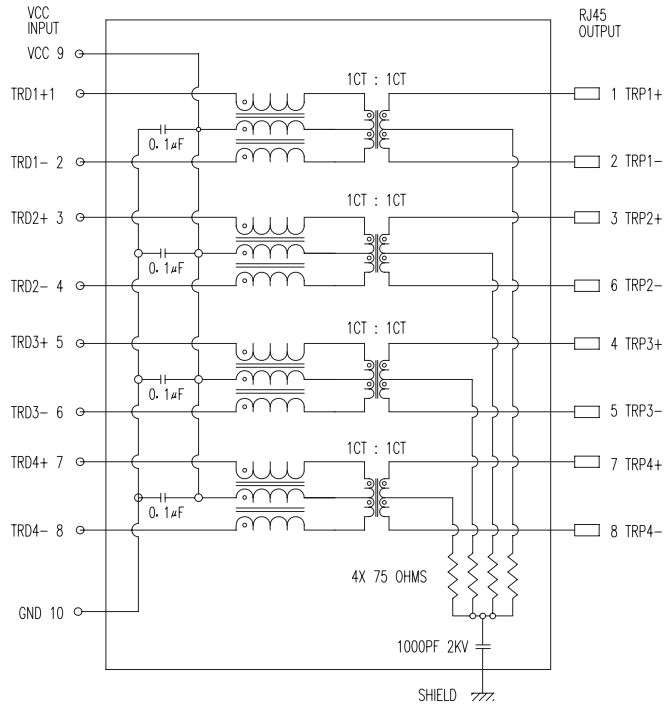
RJ-24Q077HWAD

REV.

1

2

SHEMATIC RV1



ELECTRICAL SPECIFICATIONS AT 25°C

Insertion Loss dB max	Return Loss dB min			Crosstalk(db TYP)			Common Mode Rejection (dB TYP)		Hipot(vrms)
	1-30MHz	30- 60MHz	60- 100MHz	1-30MHz	30- 60MHz	60- 100MHz	1-50MHz	50-150MHz	
-1.0	-18	-16	-12	-40	-35	-30	-30	-20	1500/0.5mA

DESCRIPTION

ELECTRICAL: RJ45 With internal Magnetics Connector

RoHS peak wave solder temperature rating 235°C
High performance for maximum EMI suppression
350uH minimum OCL with 8mA bias current

MECHANICAL: JACK CAVITY CONFORMS TO FCC RULES AND REGULATIONS,PART 68 SUBPART F.

INSERTION FORCE: 2 CONTACTS----350g 4 CONTACTS----500g
6 CONTACTS----750g 8 CONTACTS----900g
10 CONTACTS----1050g

RETENTION STRENGTH: 7.7Kgs BETWEEN JACK AND PLUG

DURABILITY: 750 MATING CYCLES Mini

MATERIAL: HOUSING: 1) GLASS FILLED PA66 (UL 94V-0)
2) GLASS FILLED PA46/LCP (UL 94V-0)
3) GLASS FILLED PBT (UL 94V-0)

SPRING WIRE: 1) 0.2-0.45mm DIA PHOSPHOR BRONZE GOLD PLATING OVER NICKEL
2) 0.2-0.35mm THICKNESS PHOSPHOR BRONZE ALLOY SELECTIVE GOLD PLATING OVER NICKEL

SHIELDING: 0.12-0.24mm THICKNESS COPPER ALLOY WITH TIN PLATED

GOLD PLATING: 3µ" [6µ"], 15µ", 30µ", 50µ"

WORKING TEMPERATURE: -40°C~+85°C

TOLERANCES UNLESS OTHERWISE SPECIFIED : 0~10±0.15, 10~20±0.2, 20~40±0.25, 40~70±0.3, >70±0.4

XYFW(www.cnxyfw.com)

Designed

MATERIAL

DESCRIPTION

2X4 EMI 1000BASE

Checked

SCALE

1.8:1

UNIT

mm

MODEL NO.

RJ-24Q077HWAD

REV.

FIRST ANGLE PROJECTION



TEL:

FAX:

Website: