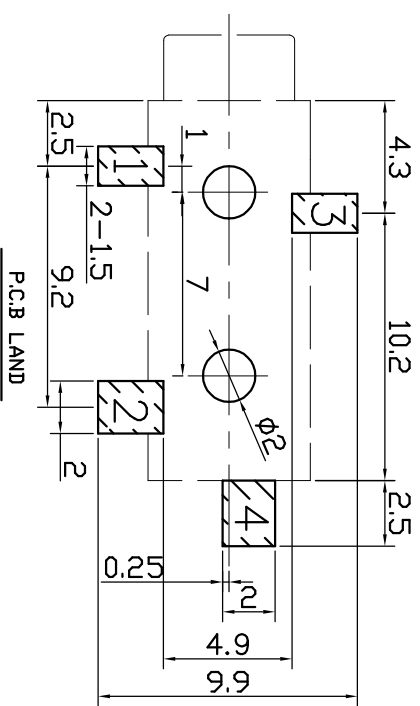
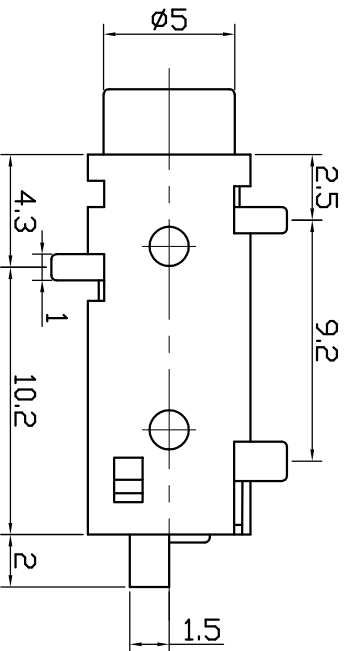
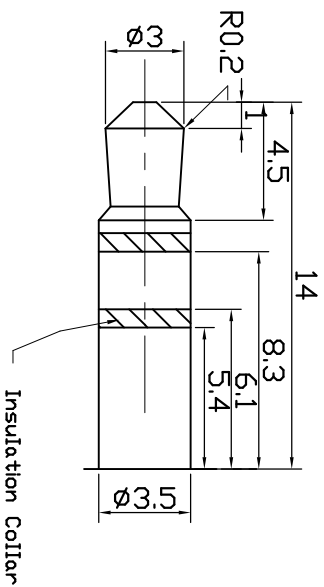
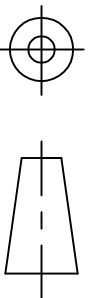


SCHEMATIC



No	DESCRIPTION	QTY	MATERIAL	PLATING	Specifications
1					Ratings: DC 12V 1A
2					Contact Resistance: 50m ohm max
3					Insulation Resistance: 100M ohm at 500V
4					Dielectric Strength: AC 500V for 1 Minute
5					Insertion & Extraction Force: 0.3-1.2Kg
					Life: 5,000 Cycles

XYFWCN



PJ-006-1-SMD

TITLE: PHONE JACK

UNLESS OTHERWISE

PECIFIED

TOLERANCE ±0.1

ANGLE TOL. ±30°

UNIT: mm SCALE: NA

DRAWN: CHENG

DATE: 2004-06-13

CHECKED:

DATE:

APPROVED:

DATE:

