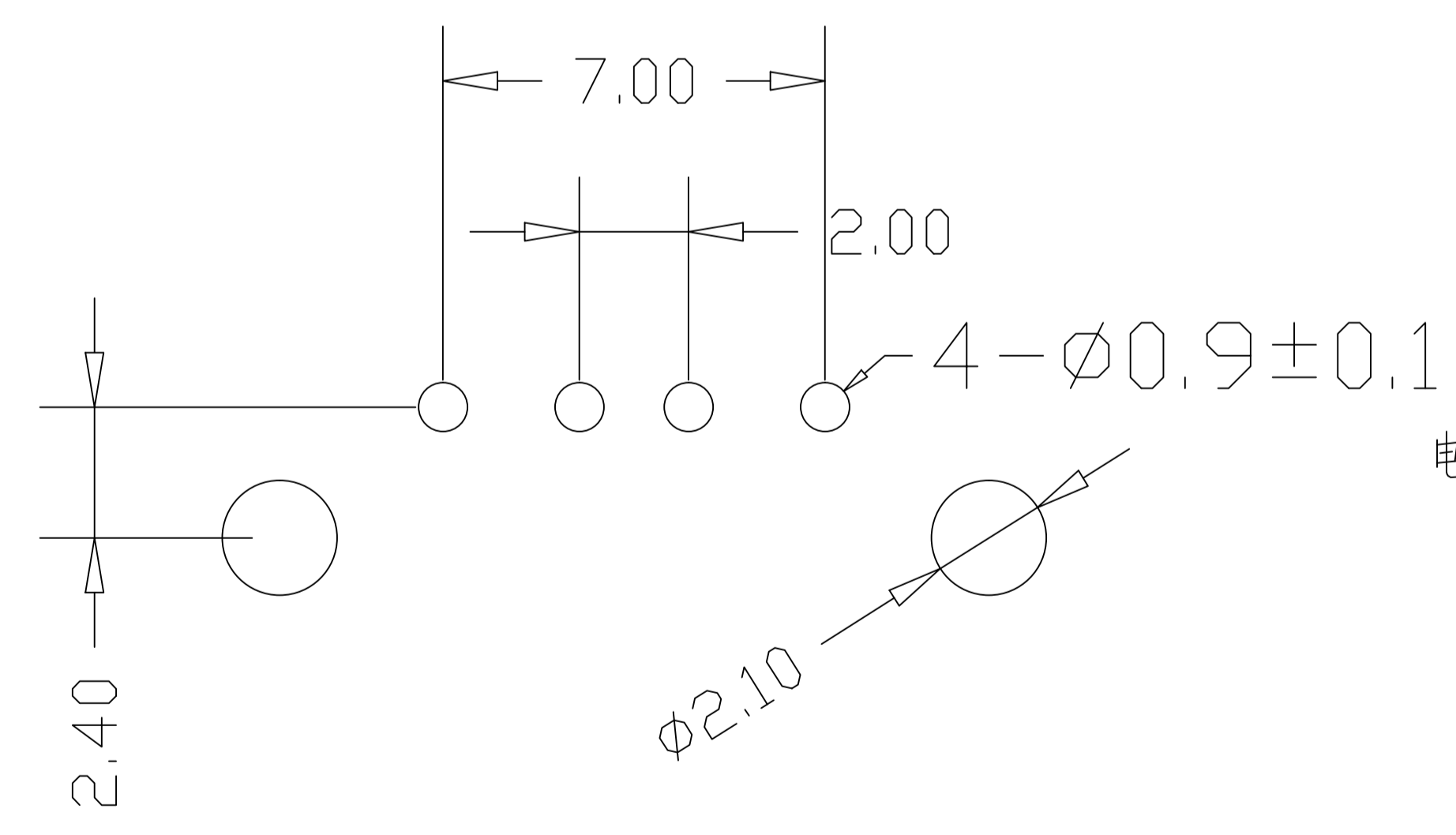
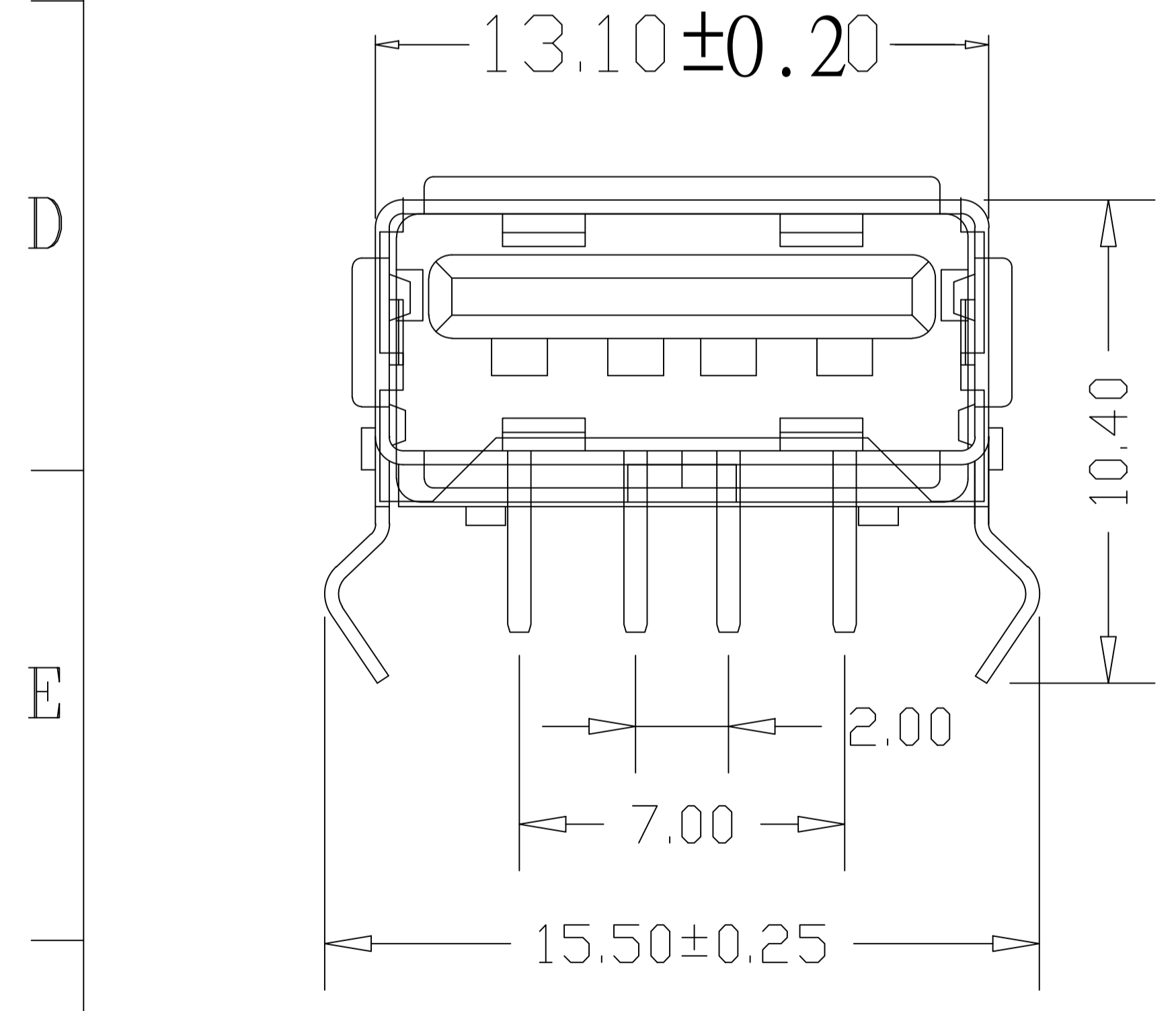
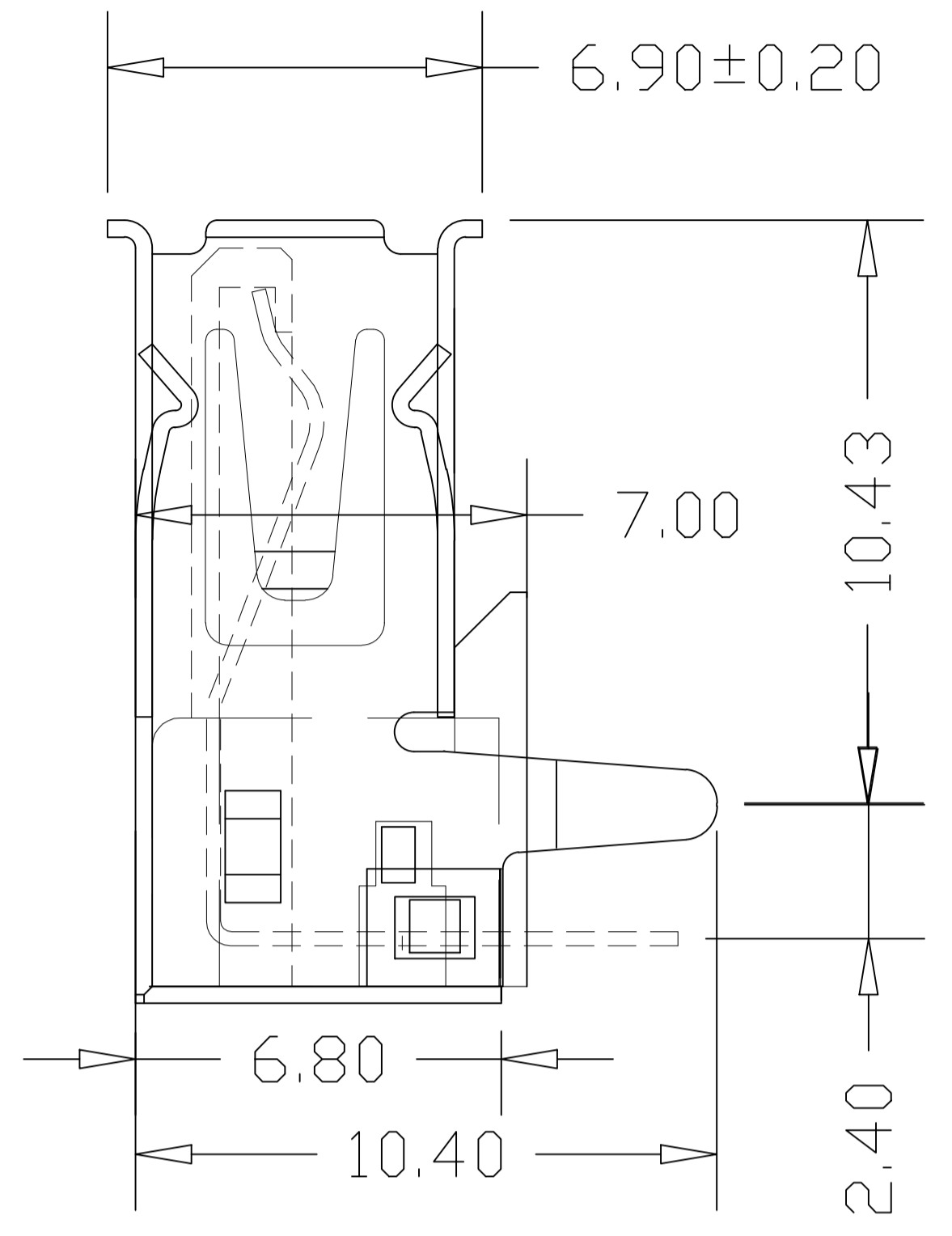
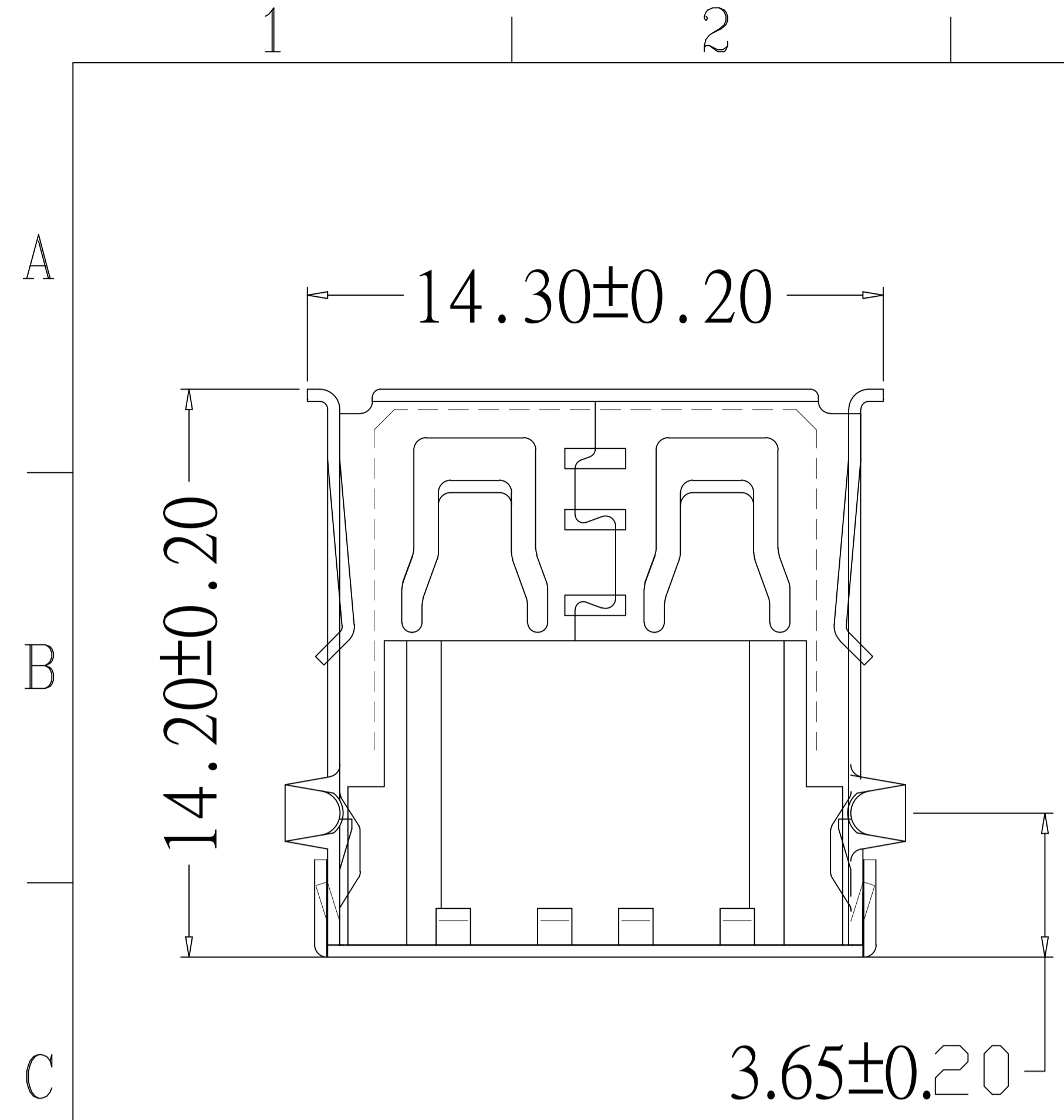


Mapx	Modification	Date	Draw	Approve



规格说明: Specifications:

电气特性: Electrical:

1. 额定电流: Current Rating
1.0A/contact terminal
2. 额定电压: Voltage Rating
30V DC
3. 接触阻抗: Contact Resistance
30 milliohms MAX
4. 耐电压: Dielectric Withstanding Voltage:
500 V AC AT Sea Level
5. 绝缘阻抗: Insulation Resistance:
1000MEGA ohms MIN

物理性能: Mechanical:

1. 插拔力: Connector Mate and Unmate Force
Mate force: 3.57kgf (MAX)
Unmate force: 1.02kgf (MIN)
2. 端子保持力: Terminal Retention
1.0kgf (MIN)
3. Life test: 3500-5000 Cycles

原材料: Material:

1. 塑胶: Housing:
Hing Temperature Tnermaplastics,
2. 端子: Contact: Copper Alloy C2680
3. 外壳: Shell: steel

电镀: Finish:

1. 端子: Contact: Plated Gold in Mating Area;
Tin On Solder Talls

端子四周镀50U" (MIN) 锡和50U" (MIN) 镍, 镀金区域镀100-200U" 镀金1U"

2. 外壳: Shell:
铁壳四周镀80U" (MIN) 镍 Nickel Plating

成品图 MANUFACTURE DWG		深圳市祥云飞武科技有限公司							
公差一览表 TOLERANCE UNLESS OTHERWISE		日期 DATE		2017.02.13	单位 UNIT	MM	制图 DRAWING	DWG NO.	USB-C16
.X±0.15	X.±5°	日期 DATE	2017.02.13	单位 UNIT	MM	制图 DRAWING		DWG NO.	USB-C16
.XX±0.05	.X±2°	审核 CHECKED		SCALE	1:1	设计 DESIGN	LIUFU	品名 NAME	90度卷边弯脚(反向)母座
.XXX±0.02	.XX±1°	核准 APPROVE		角法 VIEW	⊕ ⊖			版本 VER	A0
								页数 SHEET	005