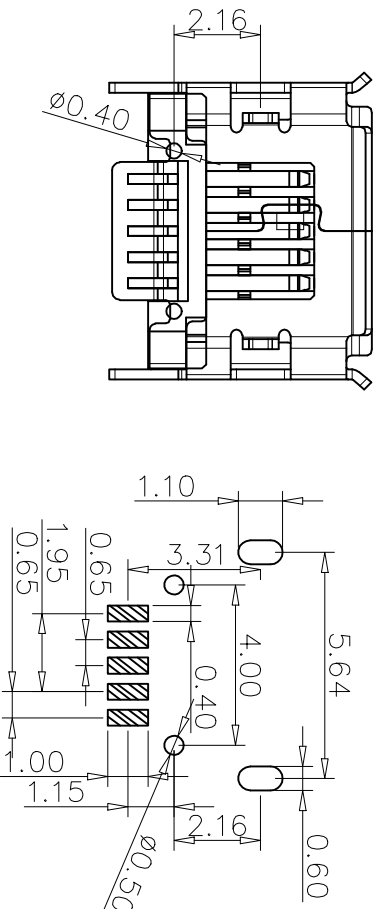
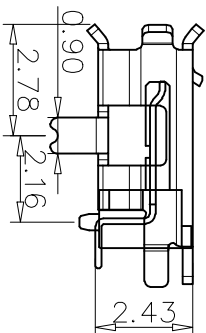
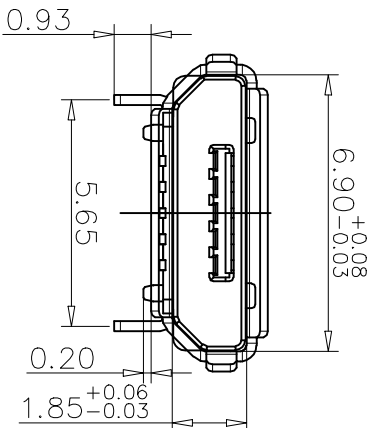
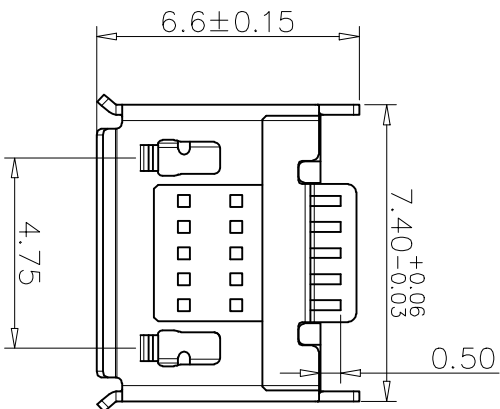


REV.	DESCRIPTION	EON No.	AME	DATE
A	新版发行		hong	2015.10.29



**SPECIFICATION**

**1. Mechanical Performance:**

Insertion Force: 35N Max.,  
Speed: 1.25mm/minute;

Withdrawal Force: 8N Min.,  
Speed: 12.5mm/minute;

**2. Electrical Performance:**

Contact Resistance: 30mΩ Max.  
at 100mA for initial and delta +10 m insertion/extraction cycles

Insulation Resistance: 1000MΩ Min.;  
Dielectric Strength: 500V AC;  
3. All materials must meet Viconn requirement for environment protection.

Shenzhen City Xiangyunfeiwu Technology Co., Ltd.

X: ±0.20	X: ±1.5°	INTENDED USE:	TITLE:
XX: ±0.10	XX: ±1.0°	CONNECTOR	MICRO USB IP 成品
XXX: ±0.05	XXX: ±0.5°	APPD.:	PART NO.:
MAT'L:	SEE NOTES	CHKD.:	DWG. NO.:
FINISH:	DR.: hong		SCALE: 1:1
			UNIT: mm
			REV.: A