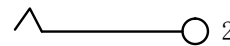
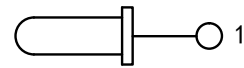
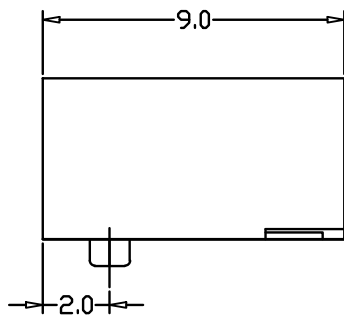


P.C.B LAND



SCHEMATIC

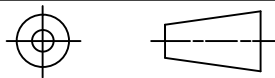
### Specifications

Rating:	DC 50V 0.1A
Contact Resistance:	30m ohm max
Insulation Resistance:	100M ohm at 500V DC
Dielectric Strength:	AC 500V for 1 Minute
Insertion & Extraction Force:	0.3-2.0kgf
Life:	5.000 Cycles
Taping:	1.000 Pcs

DC-028-SMD

TITLE:DC JACK

UNLESS OTHERWISE  
PECIFIED  
TOLERANCE ±0.1  
ANGLE TOL ±30"



UNIT: mm SCALE: NA

DRAWN: Ying

DATE: 2009.05.22

CHECKED:

DATE:

APPROVED:

DATE:

Shenzhen City Xiangyunfeiwu Technology Co., Ltd.