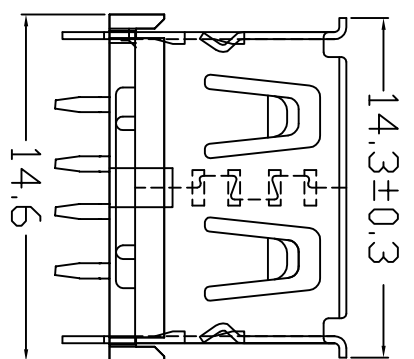


RECOMMEND PCB LAYOUT

1. Material:  
 Contact: Phosphor Bronze  
 Insulation: PBT+30% G.F. UL 94V-0  
 Shell: SPCC
2. Mechanical:  
 Matting: 35N max.  
 Withdraw Force: 10N min.  
 Durability: 1500 cycles min.
3. Electrical:  
 Current-max (amps): 1.5A  
 Voltage-max (volts): 30V  
 Withstanding Voltage: 750V  
 Contact Resistance (ohms): 30 milliohms max insulation  
 Resistance (ohms): >1000 Megohms min.
4. Plating:  
 Contacts: Gold And Tin Over Nickel Plated
5. Environmental:  
 Shell: Nickel over all plating.  
 Temperature Range: 5-55



产品图 MANUFACTURE DIMS		公差一料表 TOLERANCE UNLESS OTHERWISE		XYFWCN (WWW.XYFWCN.COM)	
UNIT	MM	INCH	±	品名称	USB A/F 双层直插10.0卷边
.X	±0.20	.X	±	角注	制
.XX	±0.10	.XX	±	VIEW	DRAWING
.XXX	±0.05	.XXX	±	出例	比例
			±	SCALE	1:1

2013.08.29		版本	A1	号	CKC1	数	1/1
------------	--	----	----	---	------	---	-----