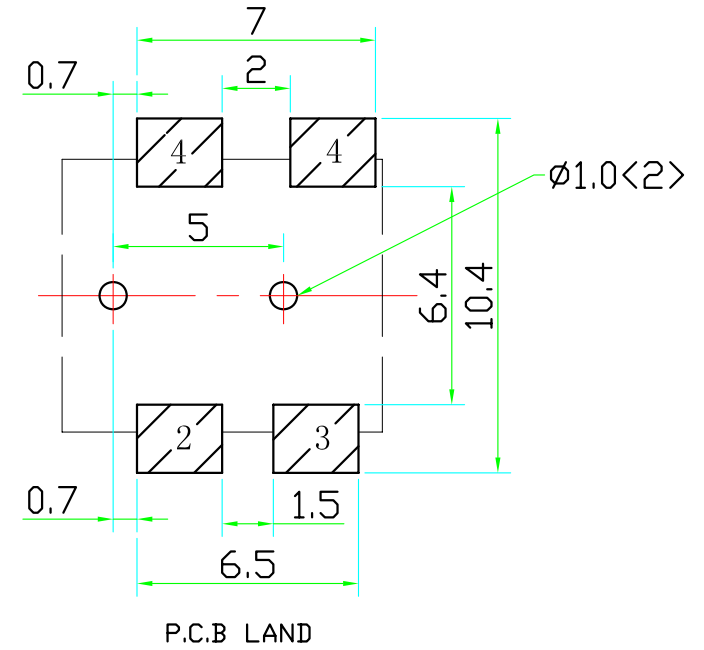
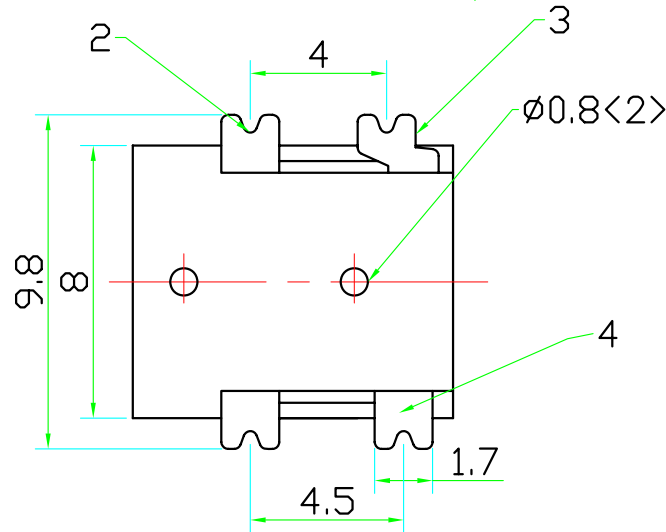
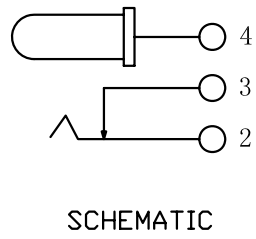


PIN	Ø1.0	Ø1.3
APPD.		



No	DESCRIPTION	QTY	MATERIAL	PLATING	Specifications	DC-048-SMD	
1	HOUSING	1	PA46		Ratings:DC 12V 1A	TITLE: DC JACK	
2	SPRING	1	Be-Cu	Ag-Plating	Contact Resistance: 50m ohm max	UNLESS OTHERWISE SPECIFIED TOLERANCE ±0.1 ANGLE TOL ±30° UNIT: mm SCALE: NA DRAWN: CHENG DATE: 2004-04-08 CHECKED: DATE: APPROVED: DATE:	
3	CURVE PIECE	1	BRASS	Ag-Plating	Insulation Resistance: 100M ohm at 500V		
4	CURVE PIECE	1	BRASS	Ag-Plating	Dielectnic Strength: AC 500V for 1 Minute		
5	PIN	1	BRASS	Ag-Plating	Insertion & Extraction Force: 0.3-1.5Kg		
					Life: 5.000 Cycles		
Shenzhen City Xiangyunfeiwu Technology Co., Ltd.							