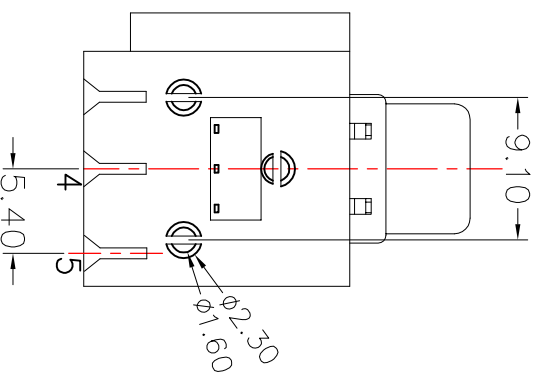
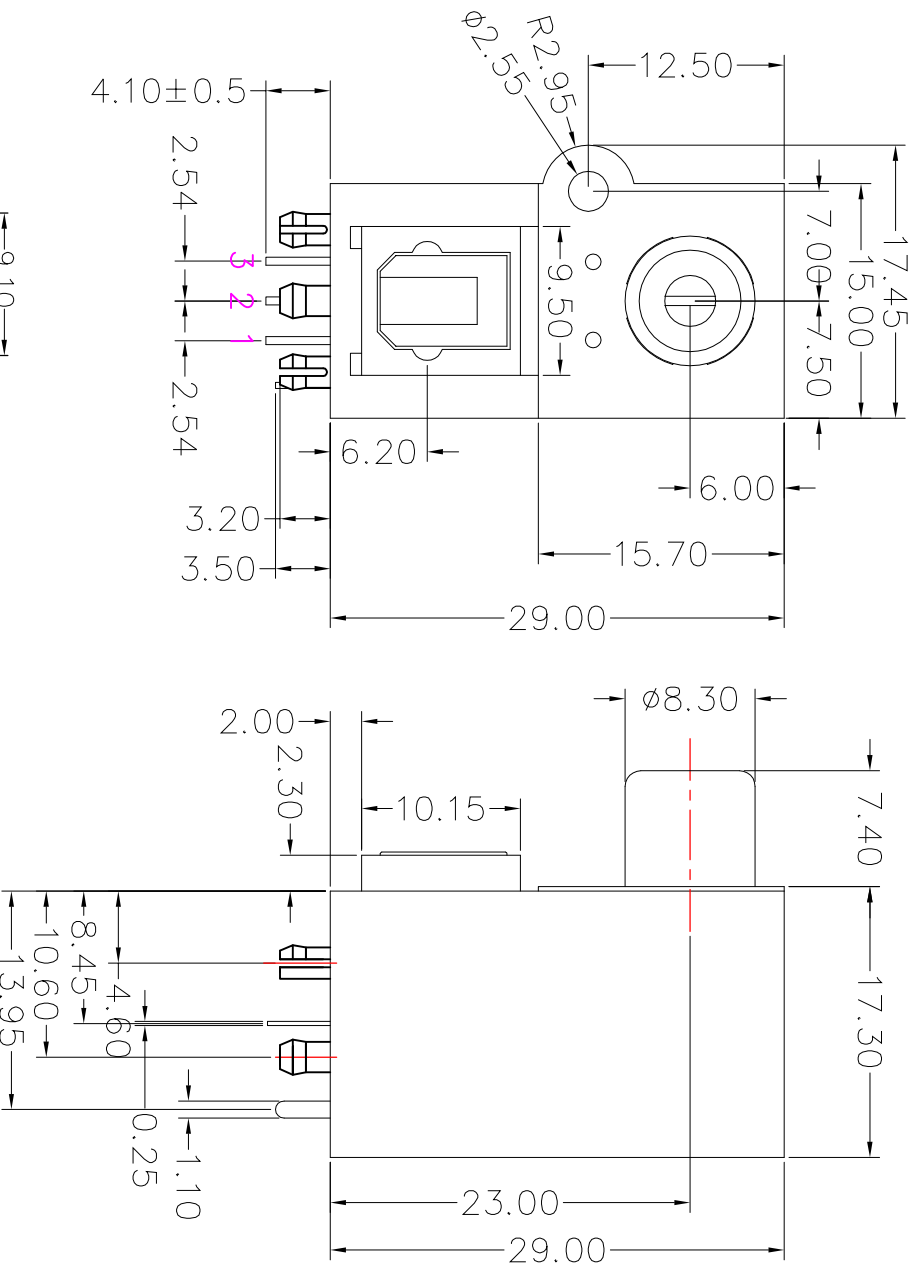
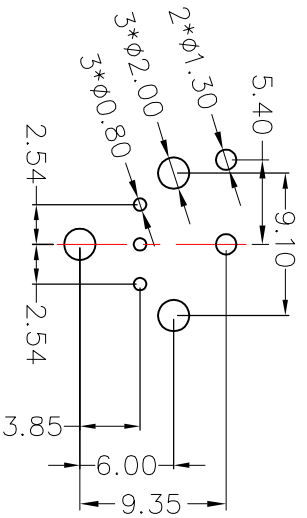


REV	DATE	DESCRIPTION



**Pin Function:**  
 1. Vout  
 2. GND  
 3. Vcc



基板参考圖(公差±0.3)  
 PCB LAYOUT(Tol:±0.3)

PART NAME	光纤连接器	<h1>XYFWCN</h1>	
PART NUMBER	DLR11R2-D2		
TOLERANCE	±0.20	UNIT	mm
APPROVED		MATERIAL	
CHECK		SCALE	FIT
DRAWING	<i>Snake</i>	DATE	2011/03/01
		PAGE	1/1
		Third Angle Projection	