

Suggested PCB Layout

ELECTRICAL SPECIFICATIONS @ 25°C unless otherwise noted:

Insertion Loss: 1-100MHZ -1.0dB MAX

Return Loss: 1-30MHZ -16.0dB MIN
 30-60MHZ -14.0dB MIN
 60-80MHZ -10.0dB MIN

Cross Talk: 1-30MHZ -40.0dB MIN
 30-60MHZ -35.0dB MIN
 60-80MHZ -30.0dB MIN

CMR: 1-100MHZ -35.0dB MIN

Hi-Pot: 1500v AC 6S 1mA

Turn Ratio: 1CT:1CT+/-3%

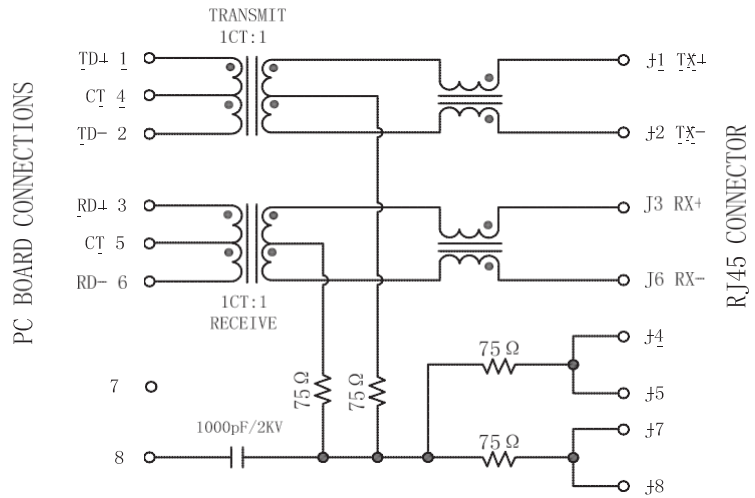
OCL:350uH MIN @ 100KHZ 100mV 8mA DC

Contacts: 0.35mm thick phos bronze plated with 6u' gold in contact are

Housing Material: PBT Black

Operating temperature range is -40°C~+85°C.

StorageTemperature: -40°C~+85°C.



<h1>XYFWCN</h1>	UNIT :mm .xx +/-0.25, .xxx +/-0.13	Approved By: JP.Gong	
	10/100BASE 1X1 180 Tab-Up RJ45	Part No: RJ-180RNL	REV. G
Drafted by:JG.CHEN			SHEET 1 OF 1