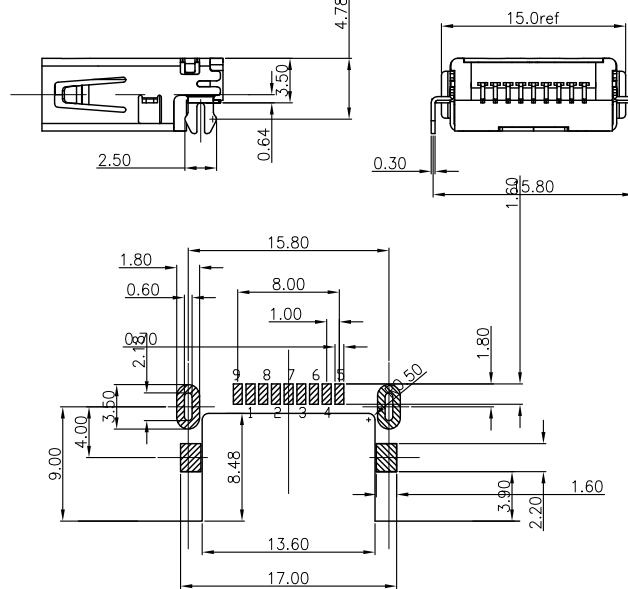
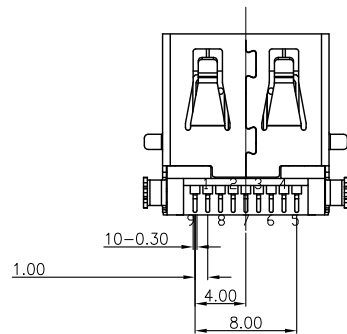
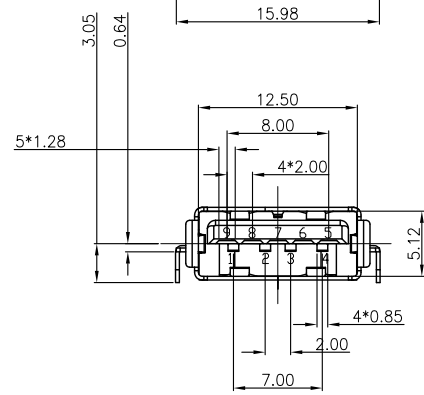
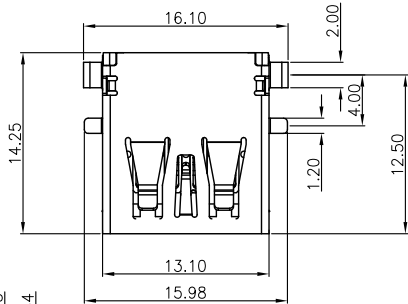


版本序号	标记	变更说明	日期	制图	审核
A/0	△	原始版本			



RECOMMENDED P.C.B LAYOUT(1.0~1.60±0.05)

- NOTES:
 1.ELECTRONIC:
 CONTACT RESISTANCE: 30mohm MAX
 INSULATION RESISTANCE: 1000 Mohm MIN
 WITHSTAND VOLTAGE:AC 500V,1min.
 2.MECHANICAL:
 DURABILITY: 1500 CYCLE.
 3.ENVIRONMENT CHARACTERISTICS:
 OPERTING TEMPERATURE:-25°C TO +85°C
 4.PART NO.

SUS F 009 9 XX 1 117
 USB SERIES _____
 FEMALE _____
 9PIN _____
 PITCH SERIES _____
 RUNNING NO.
 1=SMT TYPE
 00=GOLD FLASH
 05=5U* AU
 15=15U*AU

5.MATERIAL LIST:

No.	PART NAME	QTY	MATERIAL	REMARK
3	SHELL	1	COPPER ALLOY	NI PLATED
2	CONTACT	9	COPPER ALLOY	AU/TIN PLATED
1	HOUSING	1	THERMOPLASTIC	<UL 94V-0> BLUE

未注公差:	X.	
	X.X	±0.38
	X.XX	±0.25
	X.XXX	±0.15
角度:	X.X	±2°
	X.XX	±1°
单位:	mm	
比例:	1:1	
页次:		
光洁度:	√	

Shenzhen City Xiangyunfeiwu Technology Co., Ltd.			
设计: MJ	日期: 2010.08.12	品名: USB 3.0 A 母沉板H3.50	
绘图: MJ	日期: 2010.08.12	SMT(外壳脚鱼叉型) (无卷边)	
审核:	日期:	规格:	USB3.0
核准:	日期:	料号:	JBXUSB011-011-7