

Recommend P.C.B Layout
viewed From Component Side

ELECTRICAL SPECIFICATIONS @ 25°C unless otherwise noted:

Insertion Loss: 1-100MHZ -1.0dB MAX

Return Loss: 1-30MHZ -16.0dB MIN
30-60MHZ -14.0dB MIN
60-80MHZ -10.0dB MIN

Cross Talk: 1-30MHZ -40.0dB MIN
30-60MHZ -35.0dB MIN
60-80MHZ -30.0dB MIN

CMR: 1M-100MHZ -35dB MIN

Hi-Pot: 1500v AC 6S 1mA

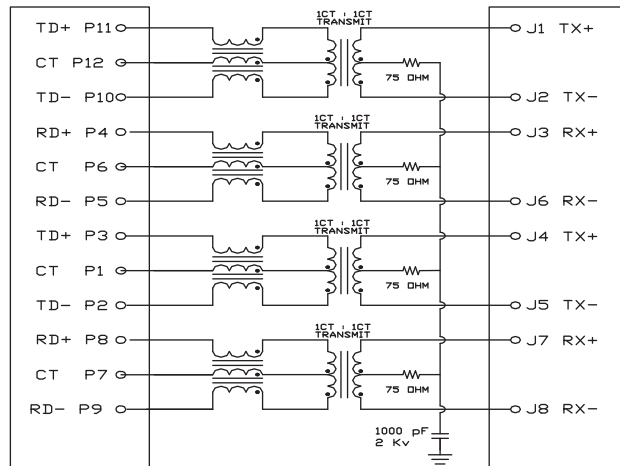
Turn Ratio: 1CT:1CT+/-3%

OCL:350uH MIN @ 100KHZ 100mV 8mA DC

Contacts: 0.35mm thick phos bronze plated with 6u' gold in contact are

Housing Material:PBT Black

Operating temperature range:-40°C-+85°C



XYFWCN

UNIT:mm
.x+/-0.3, .xx+/-0.20, .xxx+/-0.13

Approved By: JP.Gong

1000BASE

Part No: RJ-339WNL

REV
A

Drafted by: XuTiWen

1X1 TAB-DOWN RJ45

www.xyfwcn.com

SHEET 1 OF 1