

PC Board Layout

ELECTRICAL SPECIFICATIONS @ 25°C unless otherwise noted:

Insertion Loss: 1-100MHZ -1.0dB MAX

Return Loss: 1-30MHZ -16.0dB MIN  
 30-60MHZ -14.0dB MIN  
 60-80MHZ -10.0dB MIN

Cross Talk: 1-30MHZ -40.0dB MIN  
 30-60MHZ -35.0dB MIN  
 60-80MHZ -30.0dB MIN

CMR: 1-100MHZ -35.0dB MIN

Hi-Pot: 1500v AC 6S 1mA

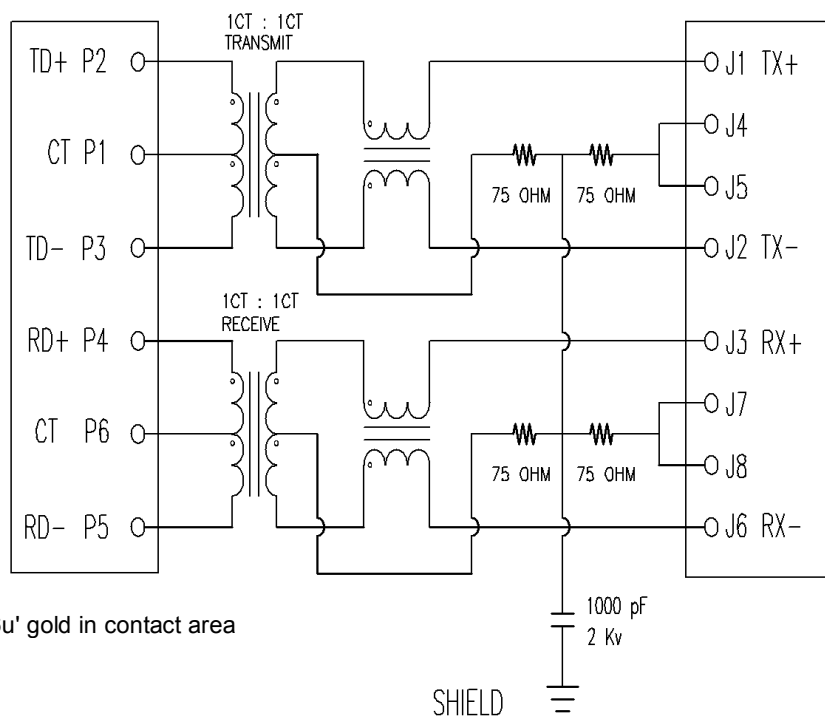
Turn Ratio: 1CT:1CT+/-3%

OCL:350uH MIN @ 100KHZ 100mV 8mA DC

Contacts: 0.35mm thick phos bronze plated with 6u' gold in contact area

Housing Material:LCP Black

Operating temperature range:-40°C+85°C



**XYFW**

UNIT :mm  
 .xx +/-0.25, .xxx +/-0.13

Approved By: JP.Gong

**100BASE  
 1X1 沉板 RJ45**

**Part No:RJ-CB001NL A**

REV.

Drafted by:JG.CHEN

www.cnxyfw.com SHEET 1 OF 1