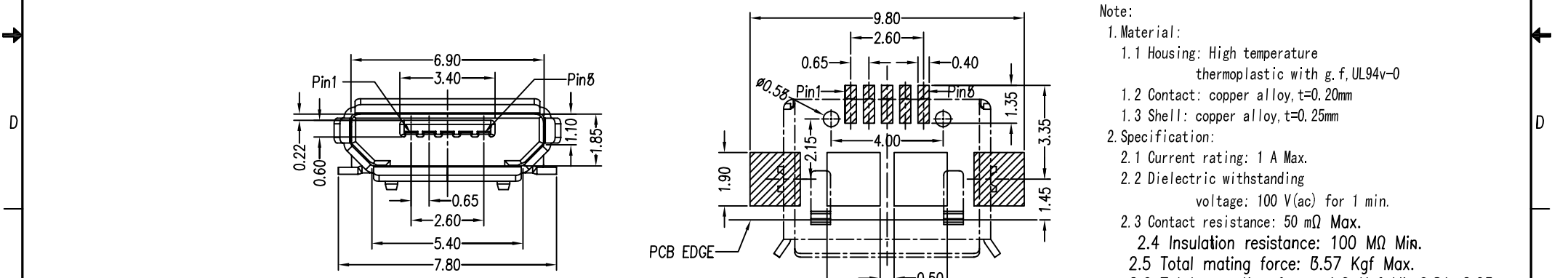
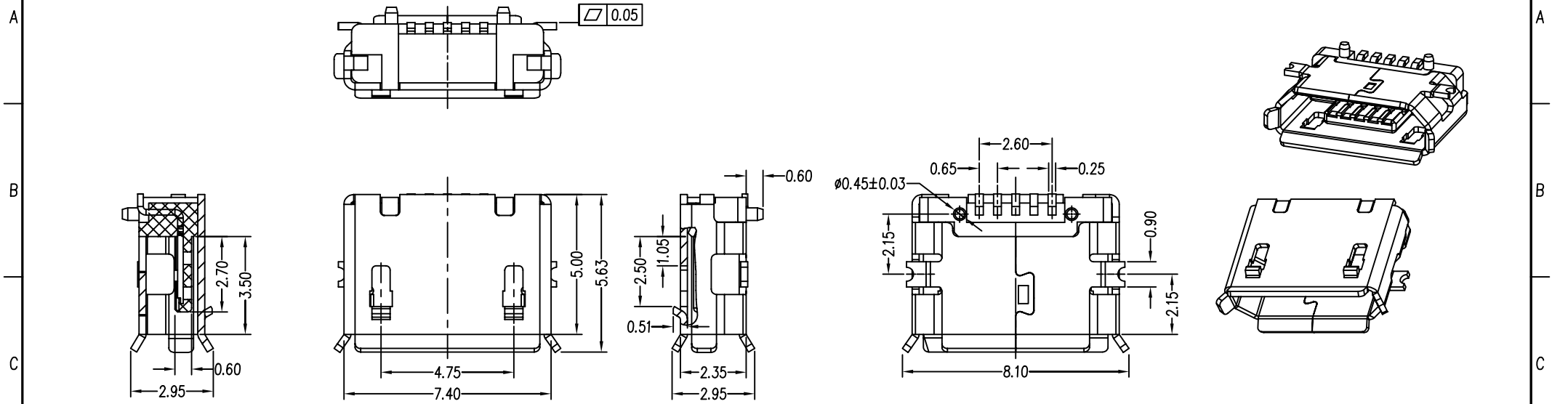


REV.	ECN NO	LOCATIONS	DESCRIPTION	DATE	REVISED	APPD
REV	ECNNO	LOCATIONS	DESCRIPTION	DATE	REVISED	



Note:

- Material:
 - Housing: High temperature thermoplastic with g.f, UL94v-0
 - Contact: copper alloy, t=0.20mm
 - Shell: copper alloy, t=0.25mm
- Specification:
 - Current rating: 1 A Max.
 - Dielectric withstanding voltage: 100 V(ac) for 1 min.
 - Contact resistance: 50 mΩ Max.
 - Insulation resistance: 100 MΩ Min.
 - Total mating force: 5.57 Kgf Max.
 - Total unmating force: 1.0 Kgf Min. 0.81~2.05 Kgf Min. after 10000 insertion/extraction cycles
 - Temperature range: -30°C~80°C

Order Information:
1-MD05SMXXX-01
 ① ② ③ ④ ⑤ ⑥ ⑦ ⑧ ⑨

1: Assy.	5: Style	7: Cotact plating	8: Shell plating
2: Series No.	M: Smt	1: 1u"	T: Tin
3: Contact No.	6: Color	2: 3u"	N: Nickel
05: 5 pos.	B: Black	3: 5u"	A: Au plated all
4: P: Plug	W: White	4: 15u"	B: None
S: Socket	N: Nature	5: 30u"	...

PART NO:		PARTNO.		MATERIAL:		MATERIAL		XYFWCN(www.xyfwcn.com)	
MODEL NO:		MOLDNO.		FINSH:		FINISH			
UNIT:		SIZE:		OOLOR:		COLOR		TITLE: Micro usb 5.0 B Type Smt 有脚性	
TOLERANCE UNSPECIFIED		DR: ???		CHK: ???		APP: ???		CUSTOMER DRAWING	
.x .X		.xx .XX		.xxx .XXX		ANG. ANG.		DWG NO: DWGNO	
1 Housing 1 N/A		2 Contact 5 N/A		3 Shell 1 N/A				REV: REV	
No. Name Q'ty Finish		SCALE: SOALE		SHEET: SHEET				REV: REV	