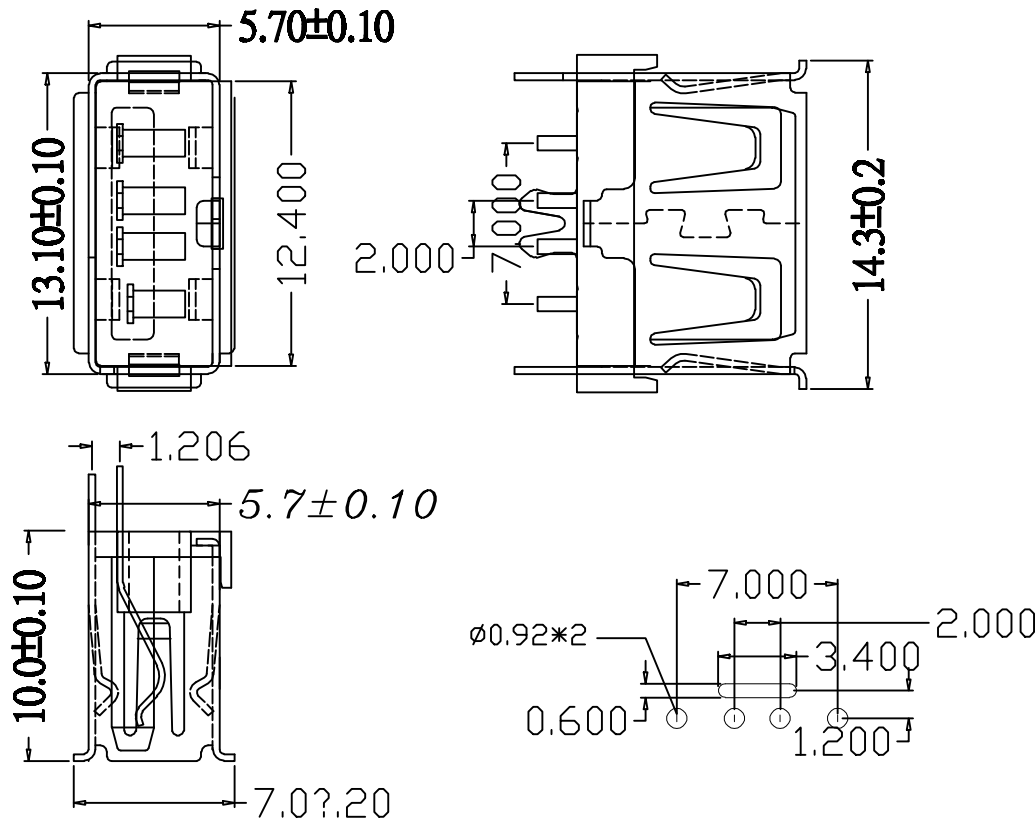


?? Mapx	???? Modification	?? Date	??? Draw	?? Approve
▲				



规格 Specifications:
 5?特性 Electrical:
 1.?定5流:Current Rating
 1.5A/contact terminal
 2.?定5:Voltage Rating
 30V DC
 3.?阻抗 Contact Resistance
 30 milliohms MAX
 4.?耐5:Dielectric Withstanding Voltage:
 500 V AC AT Sea Level
 5.?阻抗 Lnsulation Resistance:
 1000MEGA ohms MIN

物理性能 Mechanical:
 1.?插拔力:Cnncetor Mate and Unmate Force
 Mate force: 3.57kgf(MAX)
 Unmate force: 1.02kgf(MIN)
 2.?端子保持力:Terminal Retenion
 1.0kgf(MIN)

原材料 Material:
 1.?塑 Housing:
 Hing Temperature Ternmaplastics,
 PBT White/Black
 2.?端子 Contact:Copper Alloy C2680
 3.?外:Shell: Copper Alloy SPCC

5?: Finish:
 1.?端子 Contact: Plated Gold in Mating Area;
 Tin On Solder Talls
 端子四周?50U"(MIN)?,?金 域?100-200U"?金1U"
 2.?外:Shell:
 Nickel Plating
 ?四周?80U"(MIN)?

成品图 MANUFACTURE DWG		XYFWCN(www.xyfwcn.com)							
公差一览表 TOLERANCE UNLESS OTHERWISE									
.X±0.15	X.±5'	?? DATE	DATE	单 UNIT	MM	制 DRAWING	DRAWING	图 DWG NO	DWGNO.
XX±0.05	.X±2'	?? CHECKED	CHECKED	比 SCALE	1:1	设 DESIGN	DESIGN	品 NAME	10.0A 母外壳
XXX±0.02	.XX±1'	?? APPROVE	APPROVE	法 VIEW	⊕ ⊖			版 VER	页 SHEET
									PG1

由 Autodesk 教育版产品制作

由 Autodesk 教育版产品制作