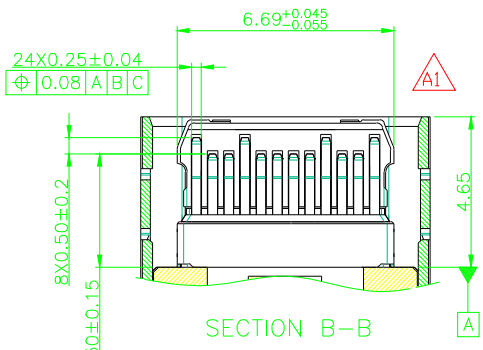
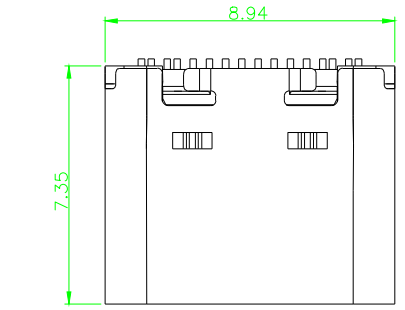


REV	LTR	DESCRIPTION	DATE	REVISER	APPD
A1		--	2015/07/21	ZHAOZHEN	ZZ



- NOTES:  
SPECIFICATION:
1. CURRENT RATING: 3.0A MAX
  2. VOLTAGE: 100 VAC
  3. TEMPERATURE RANGE: -30 °C ~ 85 °C
  4. CONTACT RESISTANCE: 40 MILLIONHM MAX
  5. INSULATION RESISTANCE: 100 MEGOHMS MIN.
  6. LNSERTION FORCE : 5N~20N
  7. UNMATING FORCE: 8N~20N
  8. DURABILITY: 10,000 CYCLES

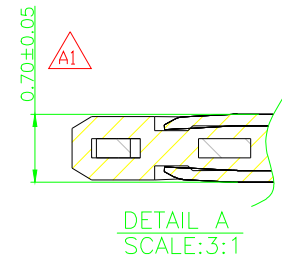
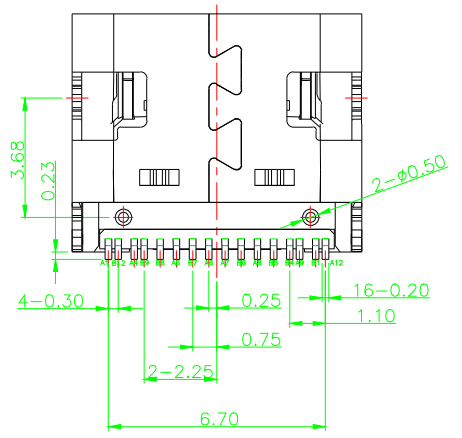
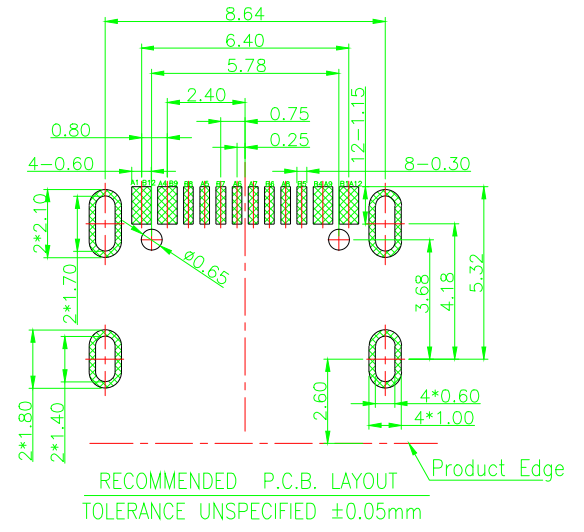
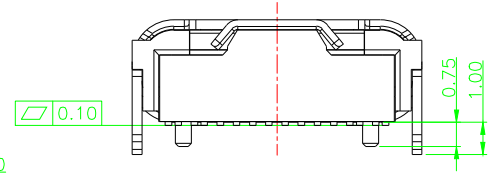
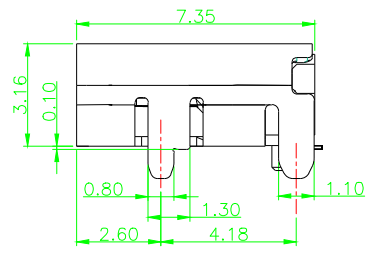
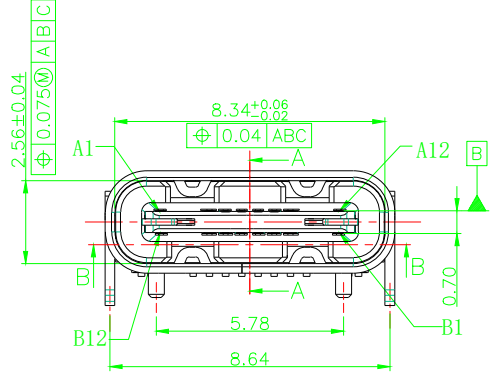


TABLE:

PART NUMBER	NO.	DESCRIPTION	MATERIAL	REMARKS	QTY
Z-CF005SLN01R-A-01	4	MD	LCP 94V-0	NATURAL	1PCS
	1	HOUSING	LCP 94V-0	NATURAL	1PCS
Z-CF005SLB01R-A-01	6	SHELL	SUS 304,T=0.30	Ni 40U" Min PLATED	1PCS
	5	SHIELDING PLATE	SUS 301,T=0.20	TIN 60U" Min PLATED, Ni 40U" MINI UNDERPLATING OVERALL	1PCS
	4	MD	LCP 94V-0	BLACK	1PCS
	3	CONTACT	C1814,T=0.12	AU3U" PLATING ON CONTACT AREA; TH: 60U" MINI PLATING ON SOLDER TAIL; Ni 40U" MINI UNDERPLATING OVERALL	1SET
	2	CONTACT	C1814,T=0.12	AU3U" PLATING ON CONTACT AREA; TH: 60U" MINI PLATING ON SOLDER TAIL; Ni 40U" MINI UNDERPLATING OVERALL	1SET
	1	HOUSING	LCP 94V-0	BLACK	1PCS

A1	GND	B12	GND
A4	VBUS	B9	VBUS
A5	CC1	B8	SBU2
A6	DP1	B7	DN2
A7	DN1	B6	DP2
A8	SBU1	B5	CC2
A9	VBUS	B4	VBUS
A12	GND	B1	GND
PIN	SIGNAL NAME	PIN	SIGNAL NAME

DWG NO	CCHK401	UNIT: MM
REV	A1	SCALE: 1:1
DATE	2015/07/21	 TOLERANCE UNSPECIFIED
DESIGN	ZHAOZHEN	
CHECKED	ZHAOZHEN	X.X ±0.30
APPROVED	ZHAOZHEN	X.XX ±0.20
		X.XXX ±0.10
		X° ±5°
		X.X° ±2°

**XYFWCN**

USB C TYPE 母座单排  
16PIN SMT 7.3 全金G/F

PART NO: XYFW-CF005SLB11R-A-01