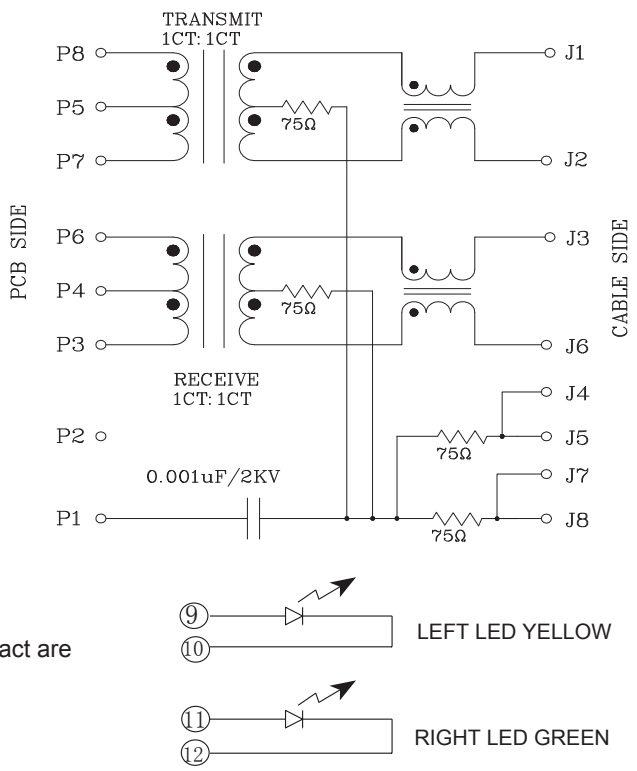


SUGGESTED PCB LAYOUT (TOP VIEW)

ELECTRICAL SPECIFICATIONS @ 25°C unless otherwise noted:

- Insertion Loss: 1-100MHZ -1.0dB MAX
- Return Loss: 1-30MHZ -16.0dB MIN  
30-60MHZ -14.0dB MIN  
60-80MHZ -10.0dB MIN
- Cross Talk: 1-30MHZ -40.0dB MIN  
30-60MHZ -35.0dB MIN  
60-80MHZ -30.0dB MIN
- CMR: 1-100MHZ -35.0dB MIN
- Hi-Pot: 1500v AC 6S 1mA
- Turn Ratio: 1CT:1CT+/-3%
- OCL:350uH MIN @ 100KHZ 100mV 8mA DC
- Contacts: 0.35mm thick phos bronze plated with 6u' gold in contact are
- Housing Material: NY46Black
- Operating temperature range:0°C to +70°C



<h1>XYFWCN</h1>	UNIT :mm .xx +/-0.25, .xxx +/-0.13	Approved By: JP.Gong	
	100BASE 1X1 Tab-Up RJ45	Part No:RJ-H56NL	REV. E
Drafted by:JG.CHEN		www.xyfwn.com	SHEET 1 OF 1