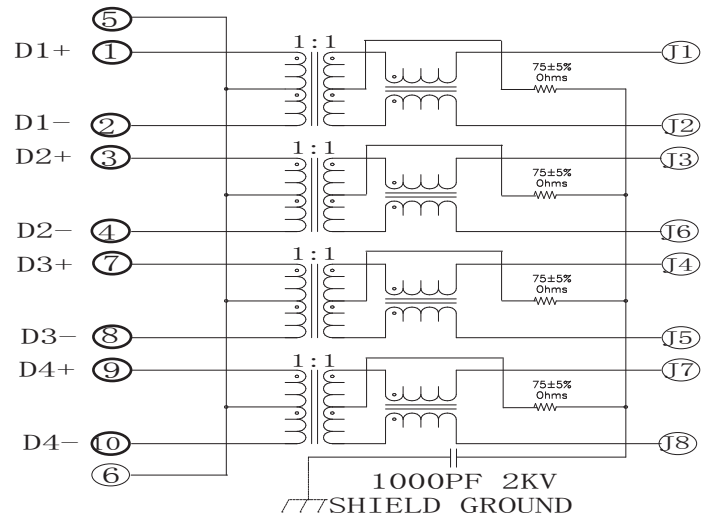


PCB LAYOUT

ELECTRICAL SPECIFICATIONS @ 25°C unless otherwise noted:

- Insertion Loss: 1-100MHZ -1.0dB MAX
- Return Loss: 1-30MHZ -16.0dB MIN
30-60MHZ -14.0dB MIN
60-80MHZ -10.0dB MIN
- Cross Talk: 1-30MHZ -40.0dB MIN
30-60MHZ -35.0dB MIN
60-80MHZ -30.0dB MIN
- CMR: 1-100MHZ -35.0dB MIN
- Hi-Pot: 1500v AC 6S 1mA
- Turn Ratio: 1CT:1CT+/-3%
- OCL:350uH MIN @ 100KHZ 100mV 8mA DC
- Contacts: 0.35mm thick phos bronze plated with 6u' gold in contact are
- Housing Material:PBT Black
- Operating temperature range:-40°C-+85°C



XYFW

Drafted by: XuTiwen

UNIT :mm
.xx +/-0.25, .xxx +/-0.13

1000BASE
1X4 Tab-Down RJ45

Approved By: JP.Gong

Part No:RJ-401QWNL	REV. D
www.cnxyfw.com	SHEET 1 OF 1