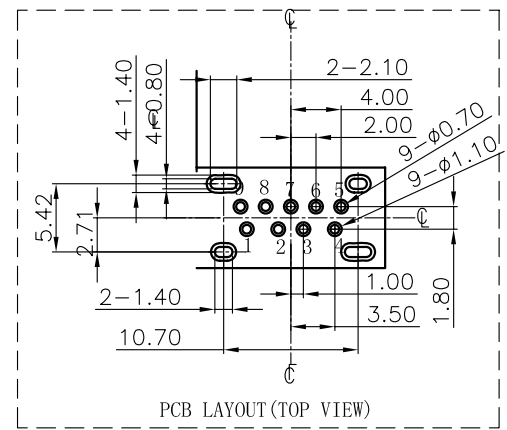
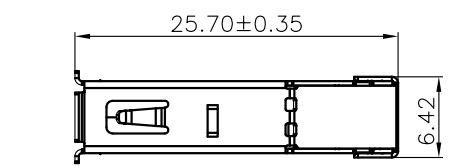
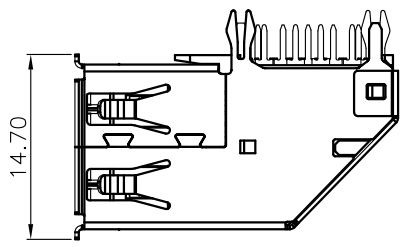


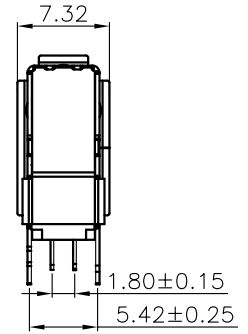
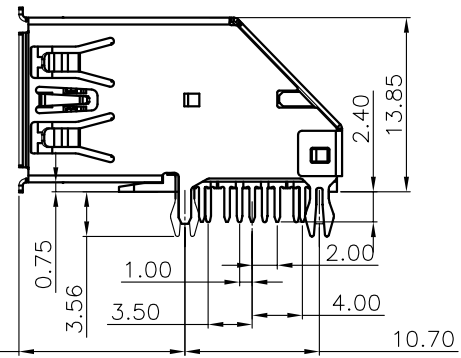
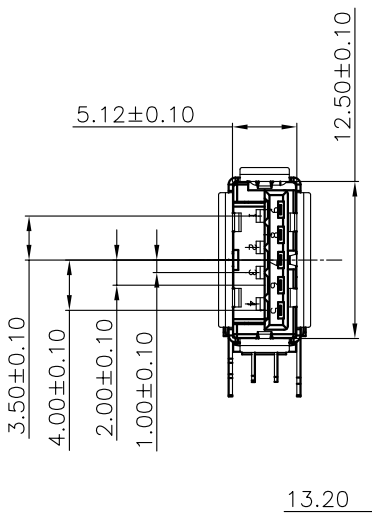
REV.	ECN.NO.	APPD.
A	/	pcy



SPECIFICATIONS:
 Contact current Rating:
 1.8 Amperes for pin1&pin4.
 0.25 Amperes other contacts
 Dielectric Withstanding Voltage:AC 100V(RMS)
 Insulation resistance:100Megohms Minimum.
 Contact Resistance:
 30mΩ Max for pin1&pin4
 50mΩMax for other contacts
 Mechanical Characteristics:
 Mating Force:35 Newtons.Maximum
 Unmating Force:10 Newtons.Minimum.
 8N Min After Durability

MATERIAL:
 Housing: PBT
 Contact: copper alloy(T=0.25mm)
 Shell: SUS

PLATING:
 Contact: Gold Flash Plated on contact area
 Tin Plated on solder area
 Nickel underplating over all
 Shell: Nickel Plated
 operating Temperature:-55°to+85°



U326-013X-XXX0X1

- B:stainless steel
- Ni plating
- 5:Copper alloy
- Ni plating
- 1:Au 1u"
- 3:Au 3u"
- 5:Au 5u"
- 7:Au 10u"
- 8:Au 15u"
- A:Au 30u"
- 1:PA66
- 2:PBT
- 6:LCP
- 1:tray
- 2:Tube
- 8:Tape&Reel
- 9:Tape&Reel+Mylar
- 1:Black
- 7:Blue 300C
- 8:Blue 300C-1
- C:Blue 300C-2
- E:Blue 300C-3
- 9:Carbon black425C

TOLERANCE UNLESS OTHERWISE SPECIFIED
 .XXX ±0.10
 .XX ±0.20
 .X ±0.30
 .X' ±3"
 .XX' ±2"

shenzhen city xiangyunfeiwu technology CO.,LTD
 www.xyfwcn.com

Pin Number	Signal Name	Pin Number	Signal Name
1	VBUS	5	SSRX-
2	D-	6	SSRX+
3	D+	7	GND
4	GND	8	SSTX-
Shell	Shield	9	SSTX+

APPROVED		PART NAME:	USB 3.0侧插90度DIP			
CHECKED		PART No:	U326-013B-127011			C
DRAWN	pengchaoyong	PROJECTION:	UNIT:	SCALE	SHEET	REV.
DATE	2014.09.30		mm	1:1	10F1	A