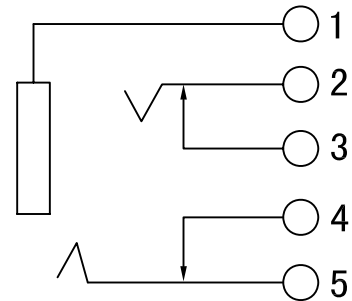


P. C. B TERMINAL POSITION



SCHEMATIC

No					Specifications	PJ-250A
1					Rating: DC 30V 1A	TITLE: PHONE JACK
2					Contact Resistance: 30m ohm max	UNLESS OTHERWISE SPECIFIED TOLERANCE ±0.1 ANGLE TOL ±30°
3					Insulation Resistance: 100M ohm at 500V DC	
4					Dielectric Strength: AC 500V for 1 Minute	
5					Insertion & Extraction Force: 0.6-2.0kgf	UNIT: mm SCALE: NA
6					Life: 5.000 Cycles	DRAWN: xing
					Taping: 1.000 Pcs	DATE: 2004-05-23
						CHECKED:
						DATE:
						APPROVED:
						DATE:

XYFW(www.cnxyfw.com)

