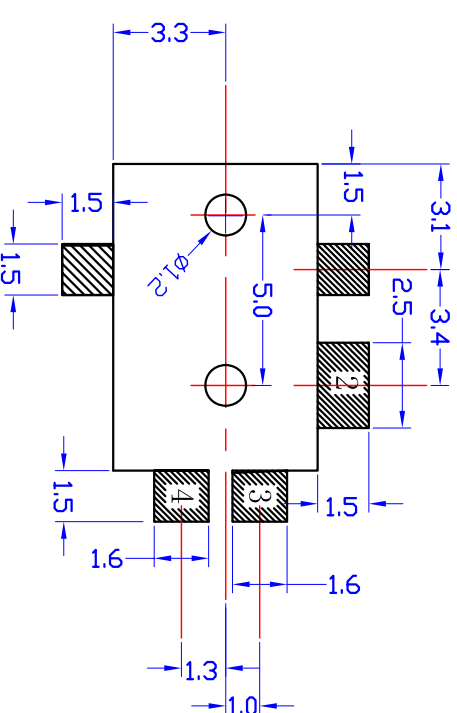
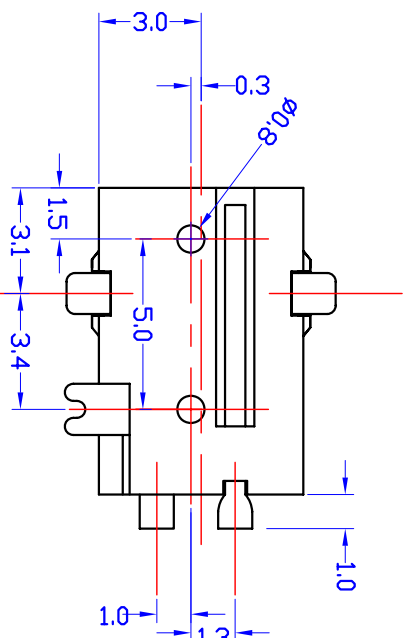
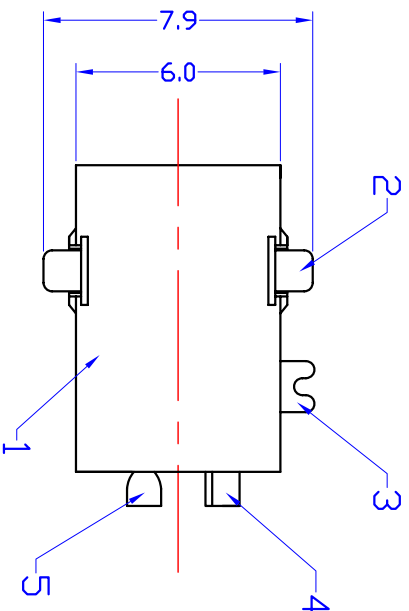


SCHMATIC



P.C.B LAND

No	DESCRIPTION	QTY	MATERIAL	PLATING	SPECIFICATIONS
1	HOUSING	1	PA-6T	UL 94-V0	Rating: 12V DC 1A
2	CONTACT FOOT	2	BRASS	Ag-Plating	Contact resistance: 30 mohms max
3	SPRING	1	SUS301	Au-Plating	Insulation resistance: 50 mohms min at 250V DC
4	CURVE PIECE	1	BRASS	Ag-Plating	Dielectric withstanding voltage: 250V AC/minute
5	CURVE PIECE	1	BRASS	Ag-Plating	Insertion and extraction Force: 2-20N
					Life: 5,000 Cycles

XYFWCN (www.cnxyfw.com)



DC-012-SMD

TITLE: DC JACK

UNLESS OTHERWISE

PECIFIED

TOLERANCE

±0.1

ANGLE TOL

±30°

UNIT: mm

SCALE: NA

DRAWN: CHENG

DATE: 2005-04-12

CHECKED:

DATE:

APPROVED:

DATE: