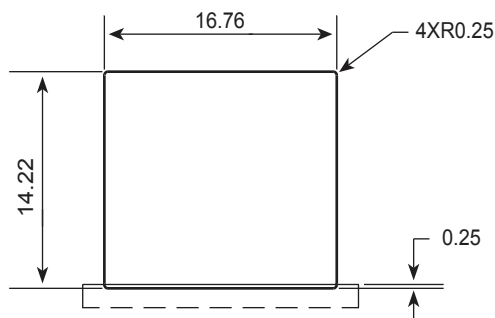


SUGGESTED PCB LAYOUT (TOP VIEW)



TOP PCB TO BOTT OM OF OPENING

ELECTRICAL SPECIFICATIONS @ 25°C unless otherwise noted:

Insertion Loss: 1-100MHZ -1.0dB MAX

Return Loss: 1-30MHZ -16.0dB MIN
 30-60MHZ -14.0dB MIN
 60-80MHZ -10.0dB MIN

Cross Talk: 1-30MHZ -40.0dB MIN
 30-60MHZ -35.0dB MIN
 60-80MHZ -30.0dB MIN

CMR: 1-100MHZ -35.0dB MIN

Hi-Pot: 1500v AC 6S 1mA

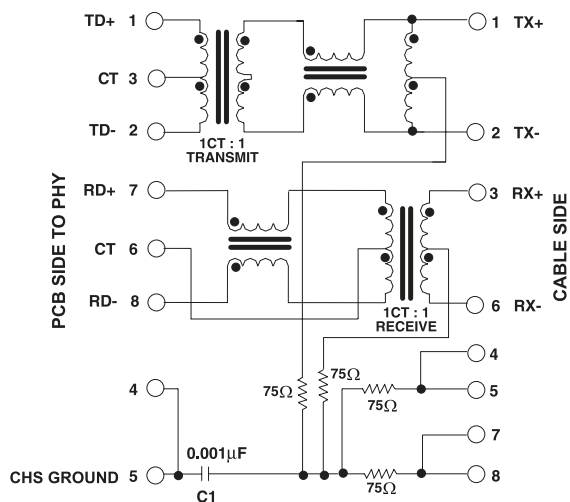
Turn Ratio: 1CT:1CT+/-3%

OCL:350uH MIN @ 100KHZ 100mV 8mA DC

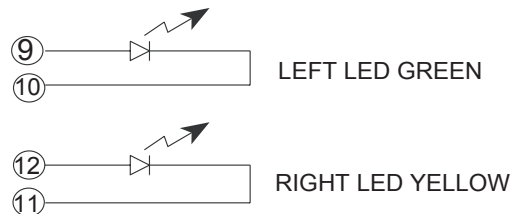
Contacts: 0.35mm thick phos bronze plated with 6u' gold in contact are

Housing Material: PBT Black

Operating temperature range:0°C to +70°C



NOTE: Connect CHS GND to PCB ground.



XYFW

UNIT:mm
 .xx +/-0.25, .xxx +/-0.13

Approved By: JP.Gong

10/100BASE

Part No:RJ-125NL

REV
 A

Drafted by:JG.CHEN

1X1 Tab-Down RJ45

www.cnxyfw.com

SHEET 1 OF 1