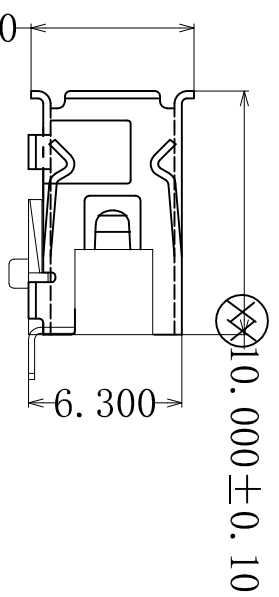
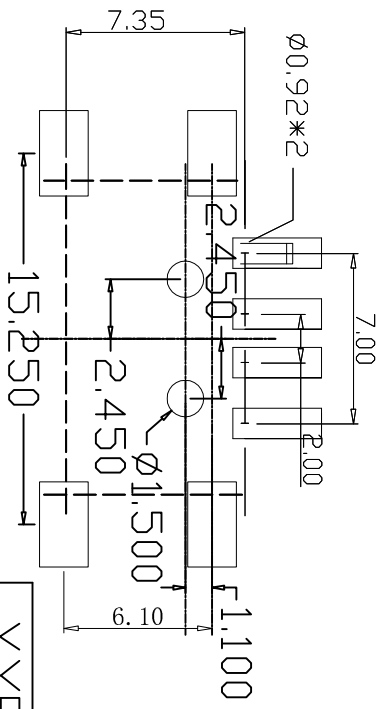
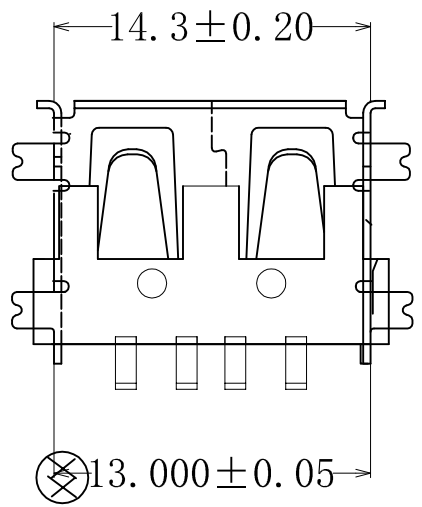
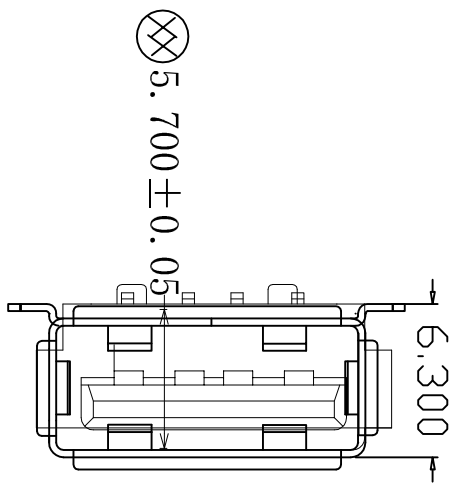
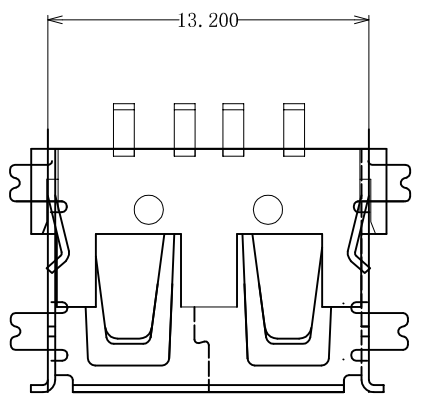


| NO. | PART NO. | NAME | MATERIAL | CLCLR | QTY |
|-----|----------------|------------------------------|-------------------|-------|------|
| 1 | A02-C40XX2000 | USB A/F 短体10.6英寸鱼叉脚1.90(无脚边) | Copper Alloy/SPCC | | 1PCS |
| 2 | A02-A000XXXX0 | USB A/F 短体10.6英寸 | PBT | | 1PCS |
| 3 | A02-B20XXXX000 | USB A/F 90° DIP短端子(2.3英寸短脚) | Copper Alloy | | 4PCS |

| REV | DATE | DESCRIPTION |
|-----|------|-------------|
| 1 | | |

NOTES:

1. MATERIAL SPECIFICATION
- 1) INSULATION MATERIAL: THERMOPLASTIC.
- 2) SHELL: COPPER ALLOY/SPCC, T: 0.30mm
- PLATING: NICKEL
- 3) TERMINAL: COPPER ALLOY, T: 0.25mm
- PLATING: GOLD/TIN PLATED.
2. ELECTRICAL CHARACTERISTIC:
- 1) INSULATION RESISTANCE: 1000M Ω MIN.
- 2) CONTACT RESISTANCE: 30m Ω MAX.
- 3) WITHSTANDING VOLTAGE: 500V AC.
3. MECHANICAL CHARACTERISTICS:
- 1) INSERTION FORCE: 3.57kgf MAX.
- 2) EXTRACTION FORCE: 1.02kgf MIN.



| TOLERANCE | X. | X.X | X.XX | X.XXX | X. ^o |
|-----------|--------|--------|--------|--------|-----------------|
| A | ± 0.20 | ± 0.10 | ± 0.05 | ± 0.03 | ± 1° |
| B | ± 0.50 | ± 0.20 | ± 0.10 | ± 0.05 | ± 2° |
| C | ± 0.10 | ± 0.05 | ± 0.02 | ± 0.01 | ± 0.5° |

XYFWCN

www.xyfwcn.com

MATERIAL: _____

UNIT: _____

THIRD ANGLE

APPROVED _____

DATE: _____

DRAWING BY _____

PART NAME: _____

Brand/Model: _____

DRAWING NO. _____

USER'S OR TOOLING NO. _____