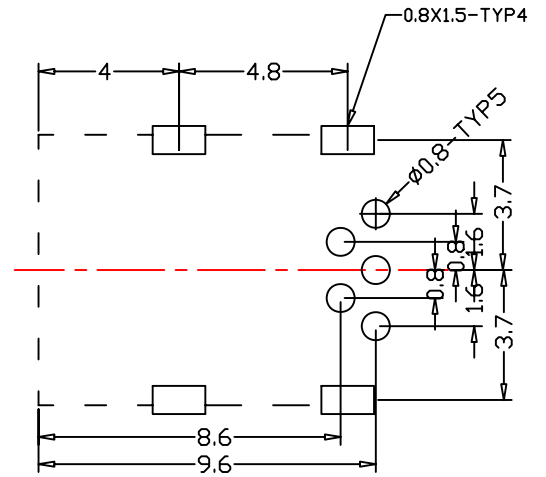


Rated Load: DC30V 0.5A
 Contact Resistance: 30ohm max
 Insulation Resistance: 100M ohm min
 Life: 2000
 Actuating Force: 5—30N
 Withstand Voltage: AC250V (50HZ)min

- 3 外壳 0.4黄铜 镀镍
- 2 塑胶 LCP+30%.UL 94 V-0
- 1 插针 0.25磷铜 镀/金+锡



P. C. B TERMINAL POSITION

Mini USB Connector

UNLESS OTHERWISE SPECIFIED
 TOLERANCE ±0.1
 ANGLE TOL ±30°

UNIT: mm SCALE: NA

TITLE: MINI-USB5PH母座

DRAWN: xing

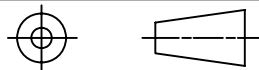
DATE: 2004-03-15

CHECKED:

DATE:

APPROVED:

DATE:



XFWCN(www.xyfwcn.com)