

**ELECTRICAL SPECIFICATIONS @ 25°C unless otherwise noted:**

Insertion Loss: 1-100MHZ -1.0dB MAX

Return Loss: 1-30MHZ -16.0dB MIN  
 30-60MHZ -14.0dB MIN  
 60-80MHZ -10.0dB MIN

Cross Talk: 1-30MHZ -40.0dB MIN  
 30-60MHZ -35.0dB MIN  
 60-80MHZ -30.0dB MIN

CMR: 1-100MHZ -35.0dB MIN

Hi-Pot: 1500v AC 6S 1mA

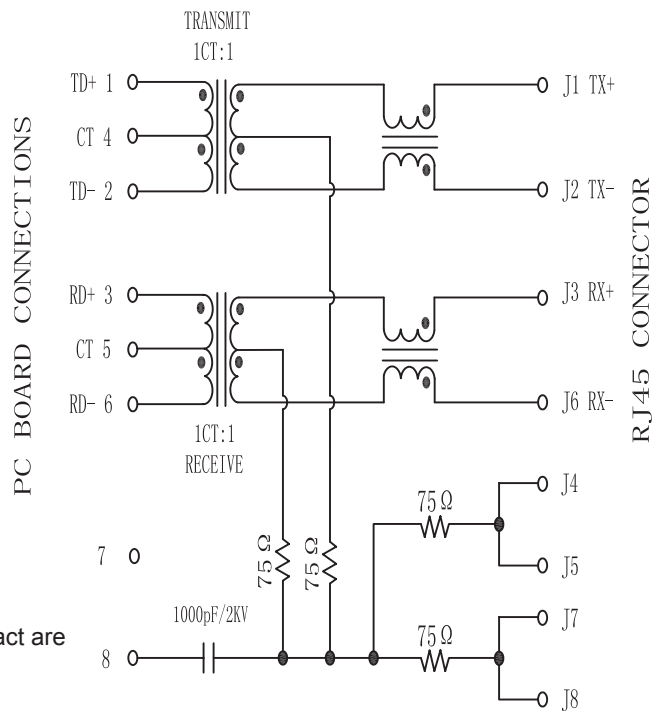
Turn Ratio: 1CT:1CT+/-3%

OCL:350uH MIN @ 100KHZ 100mV 8mA DC

Contacts: 0.35mm thick phos bronze plated with 6u' gold in contact are

Housing Material: PBT Black

Operating temperature range:0°C to +70°C



**XYFWCN**

UNIT :mm  
 . xx +/-0.25, . xxx +/-0.13

Approved By: JP. Gong

100BASE

Part No:RJ-SM017NL

REV.  
 A

Drafted by:JG. CHEN

1X1 Tab-Down RJ45

www.xyfwcn.com

SHEET 1 OF 1