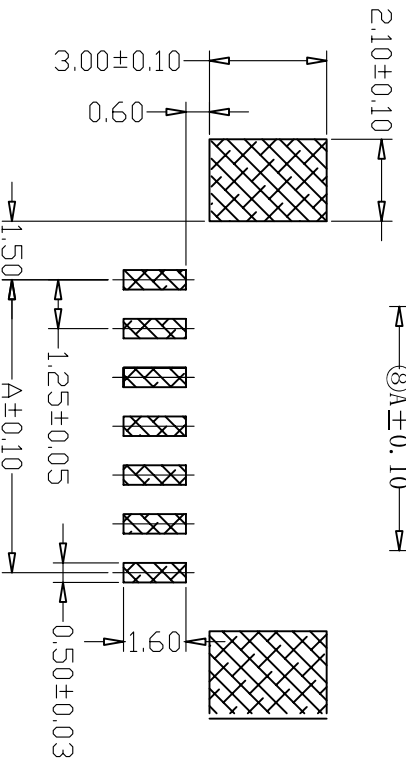
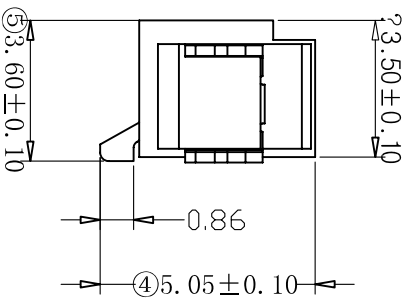
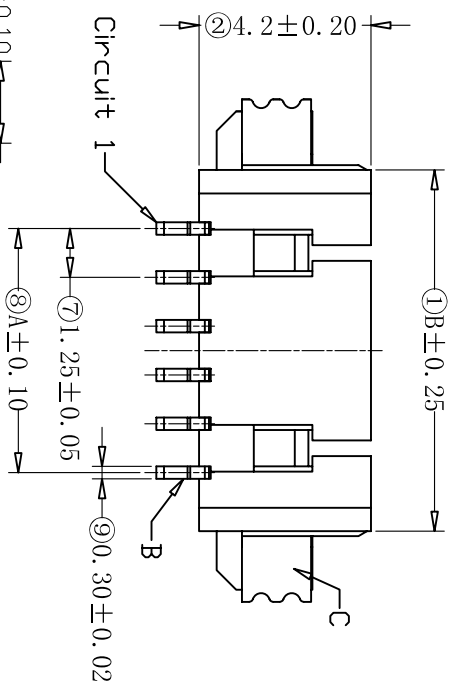


- SPECIFICATION**
- Contact resistance: $\leq 20m\Omega$
 - Insulation resistance: $\geq 100M\Omega$
 - Rated voltage: 125 V AC DC
 - Rated current: 1.0 A
 - Withstand Voltage: 250V AC/minute
 - Temperature Range: $-25^{\circ}C \sim +85^{\circ}C$
- AC DC



Circuit	Dimensions(mm)		
	A	B	C
02	1.25	4.25	7.75
03	2.50	5.50	9.00
04	3.75	6.75	10.25
05	5.00	8.00	11.50
06	6.25	9.25	12.75
07	7.50	10.50	14.00
08	8.75	11.75	15.25
09	10.00	13.00	16.50
10	11.25	14.25	17.75
11	12.50	15.50	19.00
12	13.75	16.75	20.25
13	15.00	18.00	21.50
14	16.25	19.25	22.75
15	17.50	20.50	24.00
16	18.75	21.75	25.25

SUGGESTED PCB LAYOUT
(COMPONENT SIDE)

NO	DESCRIPTION	QTY	MATERIAL	PLATING/COLOR
C	Solder Tab	2	Phosphor Bronze	Tin-plated
B	Contacts	2*16	Phosphor Bronze	Tin-plated
A	Insulator	1	LCP	Natural (Beige)

J-connector 深圳市吉瑞丰电子有限公司

TEL: 0755-3384 7016 SHENZHEN JRF ELECTRONICS Co., LTD

FAX: 0755-3386 9009 E-mail: connector@163.com

未注公差	X: ±0.35 X.X: ±0.25 X.XXX: ±0.15	品名规格	1.25 WAFER 卧式 SMT		
Size: A4	UNIT: mm	客户品号	版本	制图	审核
Scale: 1:1		A/0	易红	王笑	核准
					日期
					2008-6-28